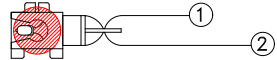
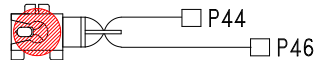


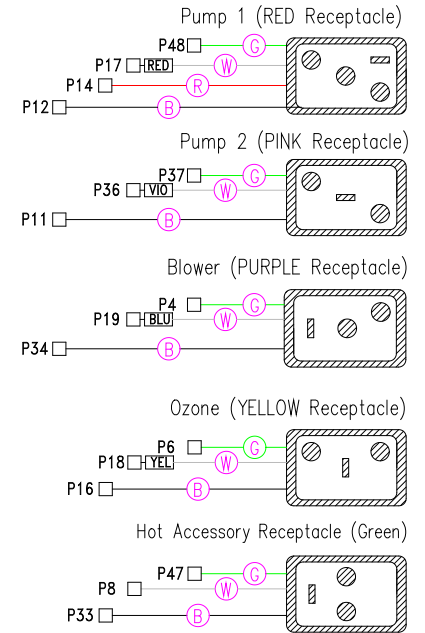
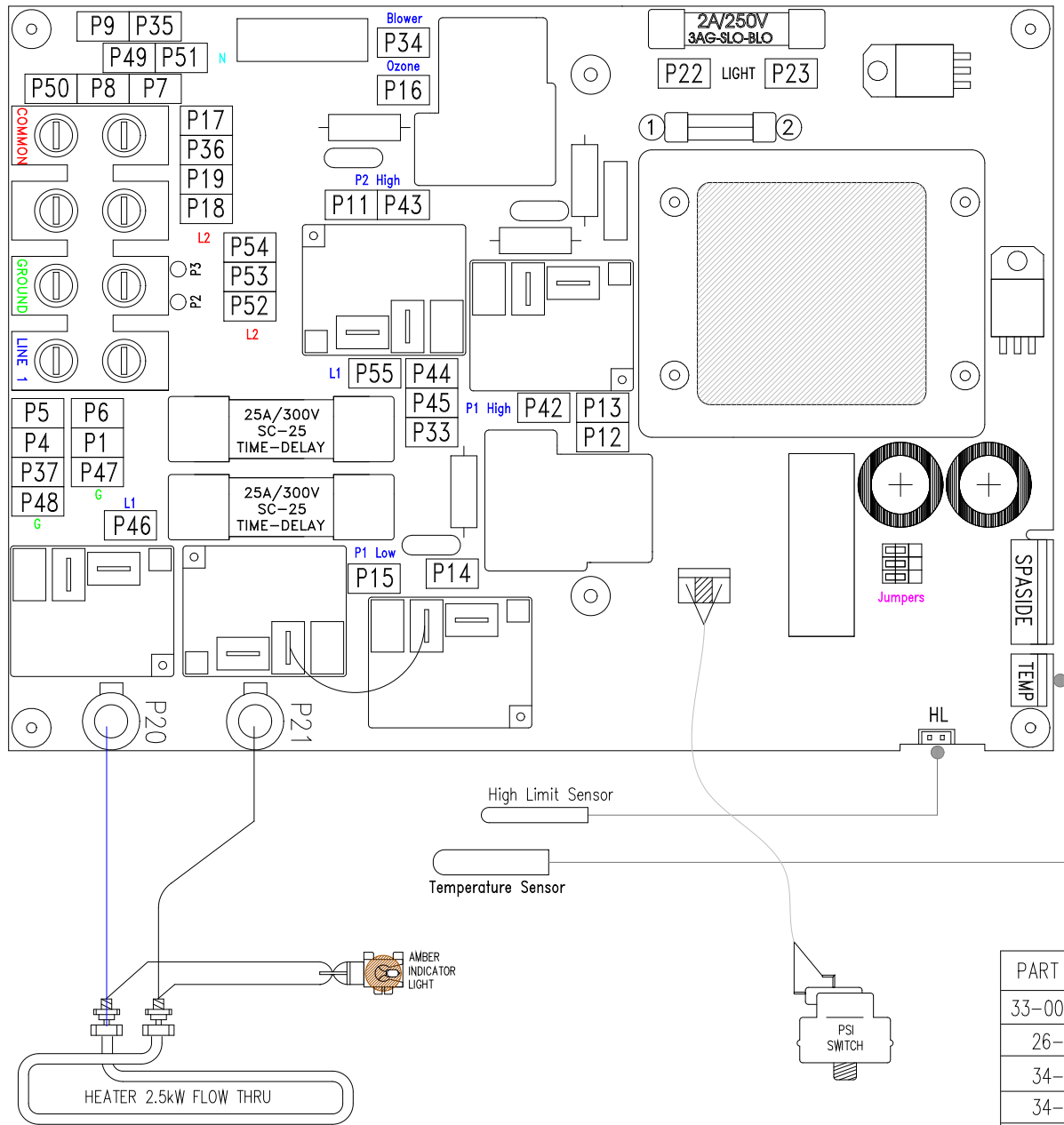
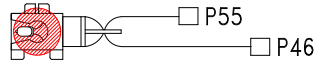
SYSTEM FUSE



PUMP 1 FUSE



AUXILIARY FUSE



LEGEND	
□	- 1/4" QUICK CONNECT
▢	- 1/4" QUICK CONNECT PIGGYBACK
○	- RING CONNECTOR
◻	- SOCKET CONNECTOR
△	- PIN CONNECTOR

Manufacture Notes: #1 For 240V operation of heater, plug must be installed into 240V receptacle
 #2 Line 1 and Line 2 need to be SEPARATED for 240V operation.

PART NUMBER	DESCRIPTION	QTY
33-0024C-R3	PCB, DIG. ECO-3, 240V	1
26-0071D	HEATER, 2.5kW FLOW THRU	1
34-0178	SWITCH, PRESSURE, 1AMP	1
34-0201D	HIGH LIMIT SENSOR, 18"	1
34-0203D	TEMPERATURE SENSOR, 10FT	1

HYDRO-QUIP
 CORONA, CA (951) 273-7575

Dwg. No. M55A0-DUQY-Z5
 Approved By:

Drawn GC Rev 1
 Date 02.05.07
 Diagram No. 8016

Wire Color Code
 B - Black G - Green
 Br - Brown Bl - Blue
 R - Red V - Violet
 O - Orange W - White
 Y - Yellow Gr - Gray